

Ersatzteilliste

Düsenwagen R 30



Figure 1. Chassis (R18, R24, R30)

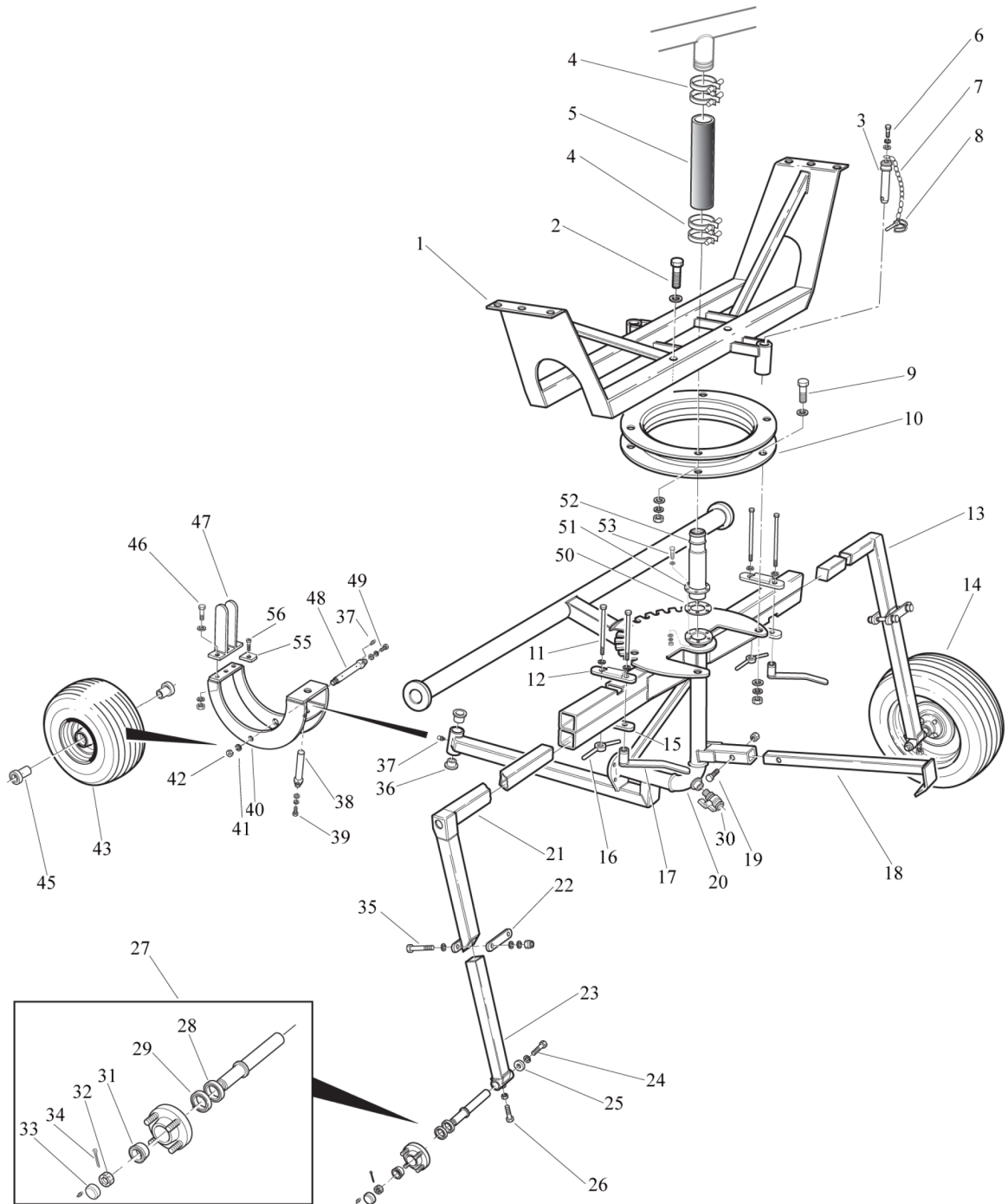


Figure 2 Centre Section (R18, R24, R30)

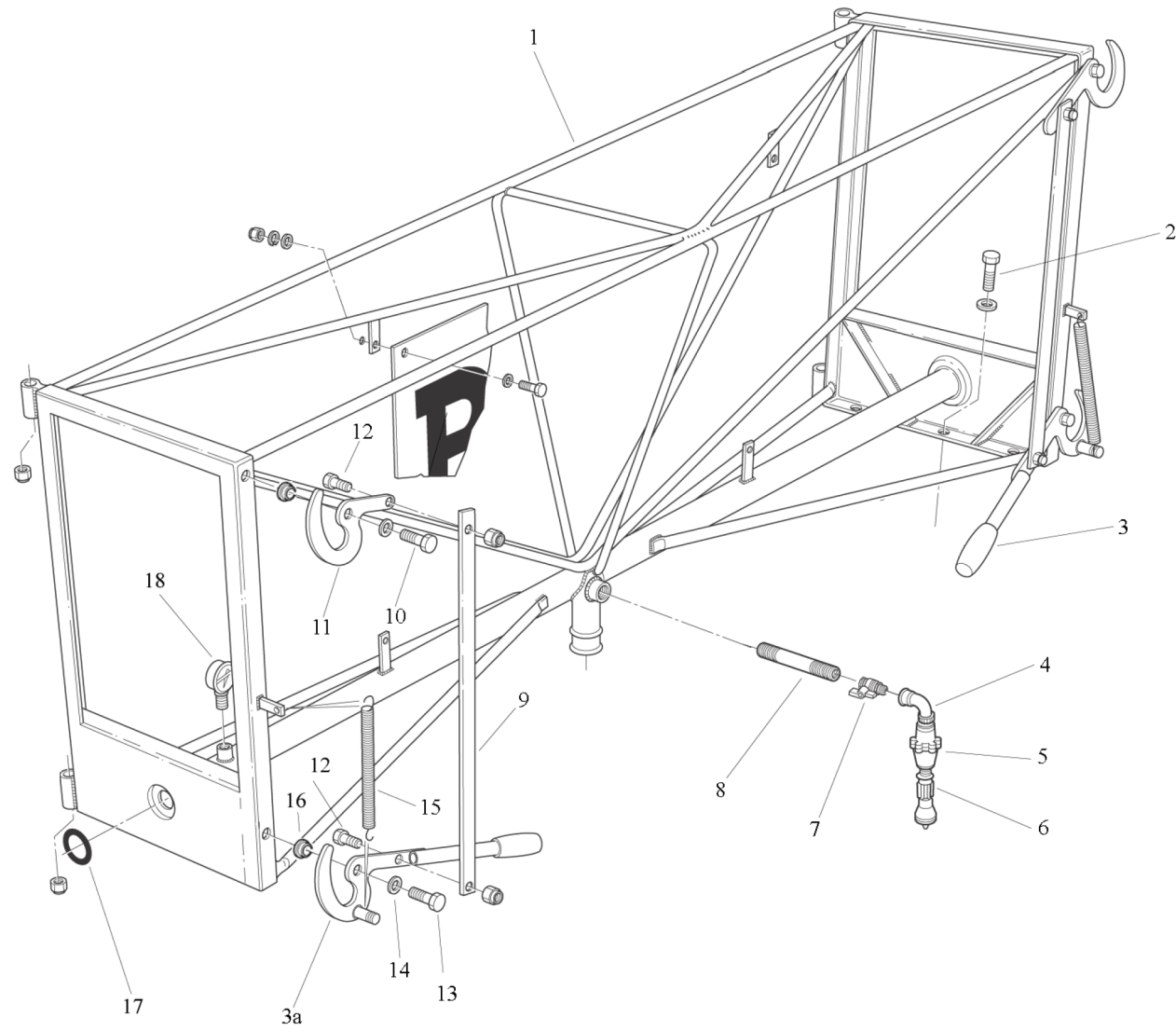


Figure 3 First Section

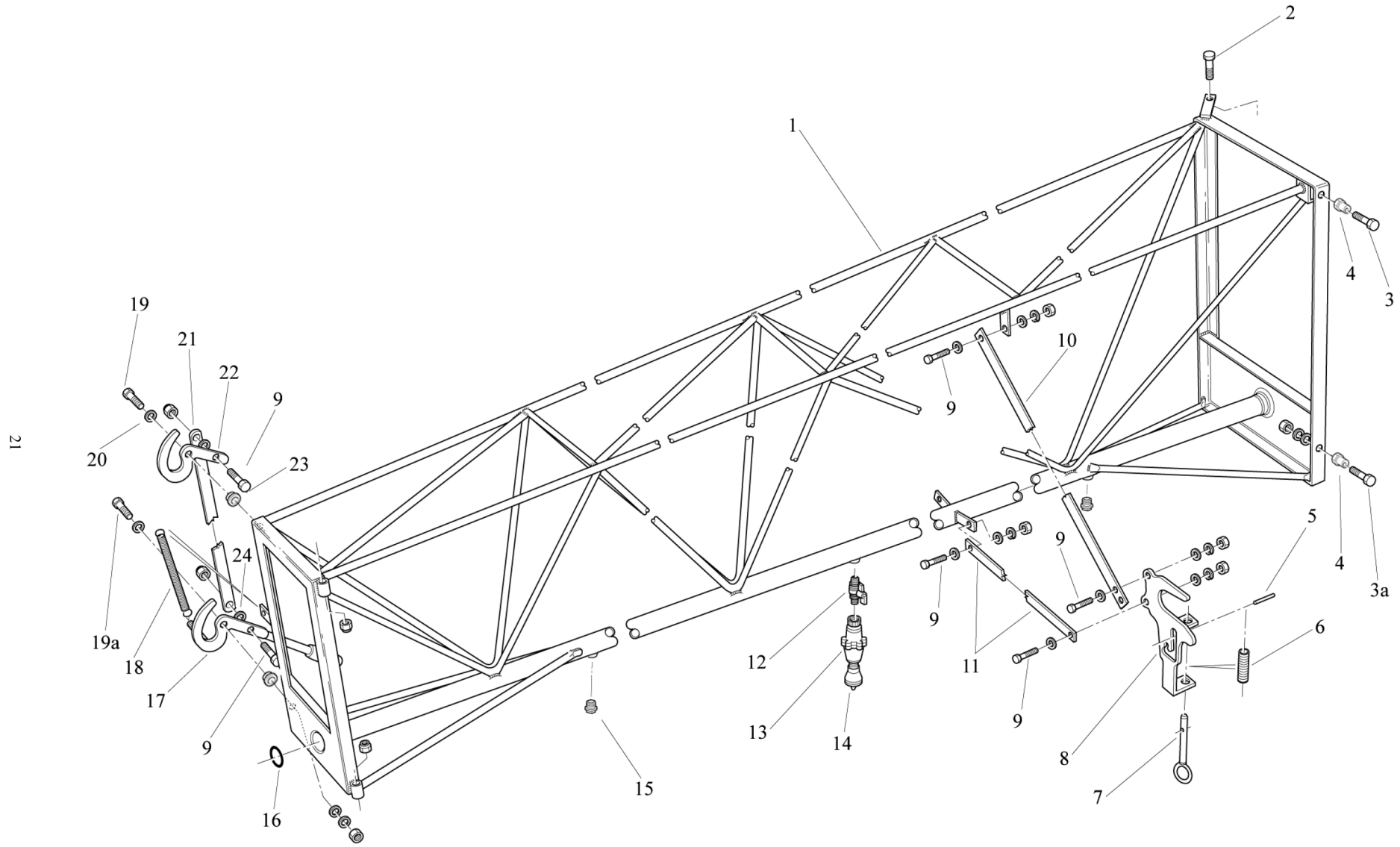


Figure 4 Second Section (R24 & R30 only)

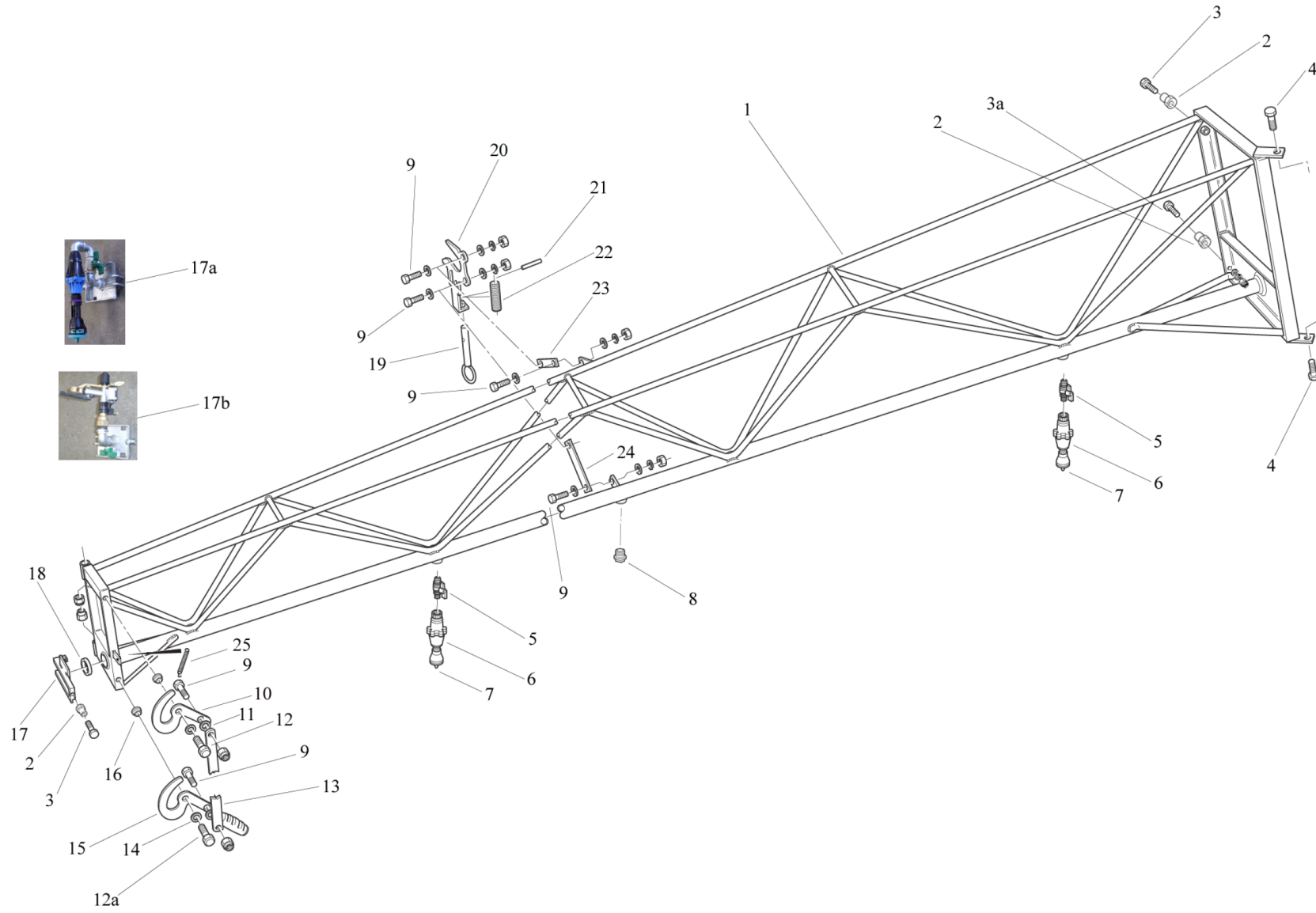


Figure 5 R30 End Section

25

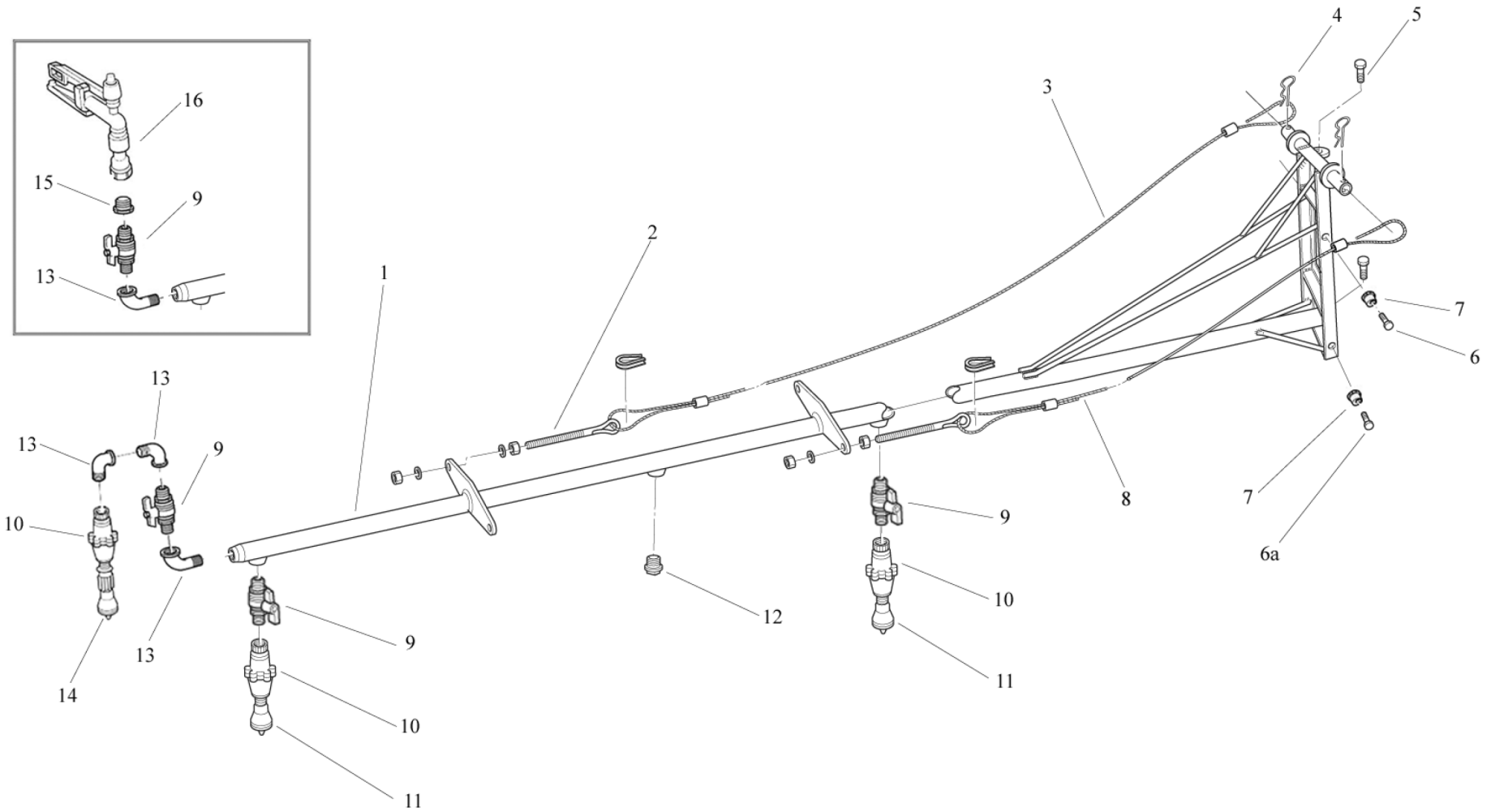
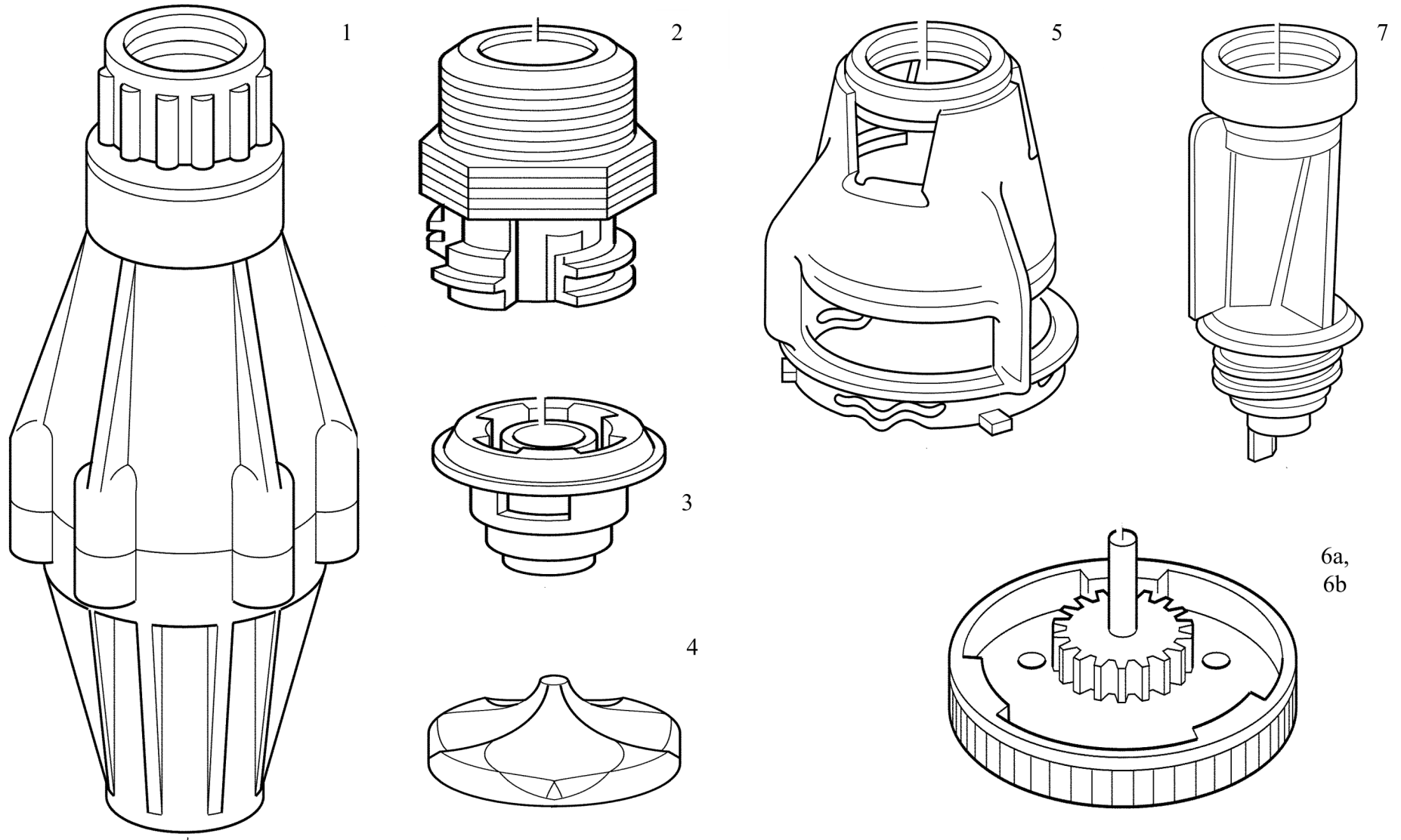


Figure 8. NELSON PRESSURE REGULATOR SPRAY JET SERIES



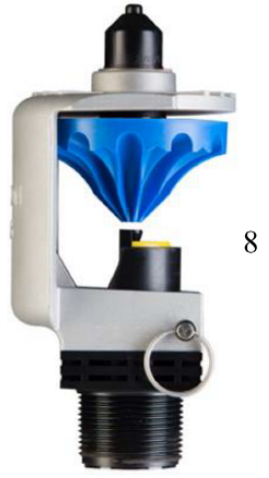


Figure 9. SIME JUMBO Teso 6° Sector Sprinkler

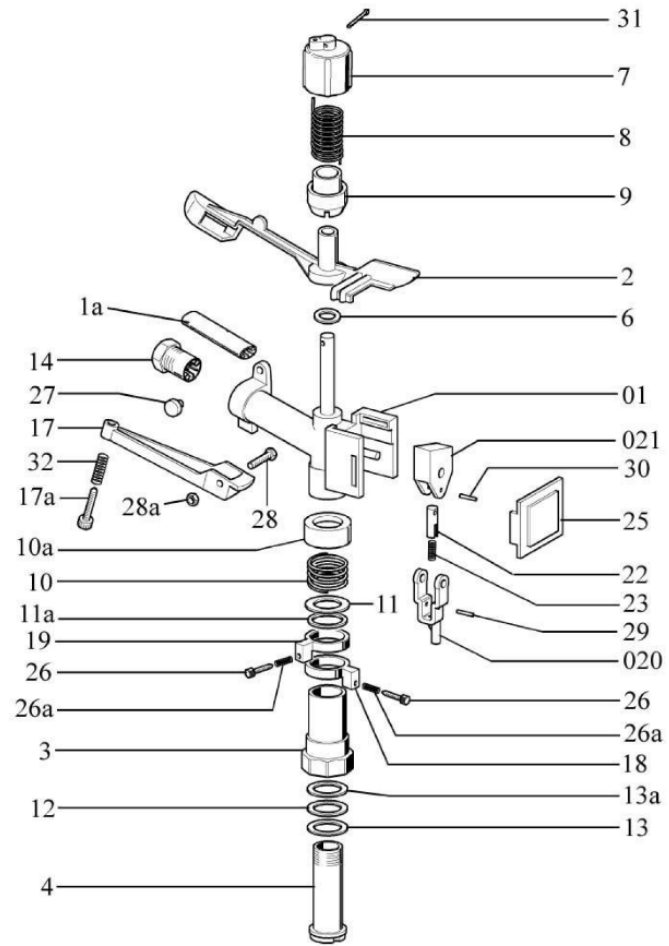


Figure 10. SIME K1 Teso 8° Sector Sprinkler

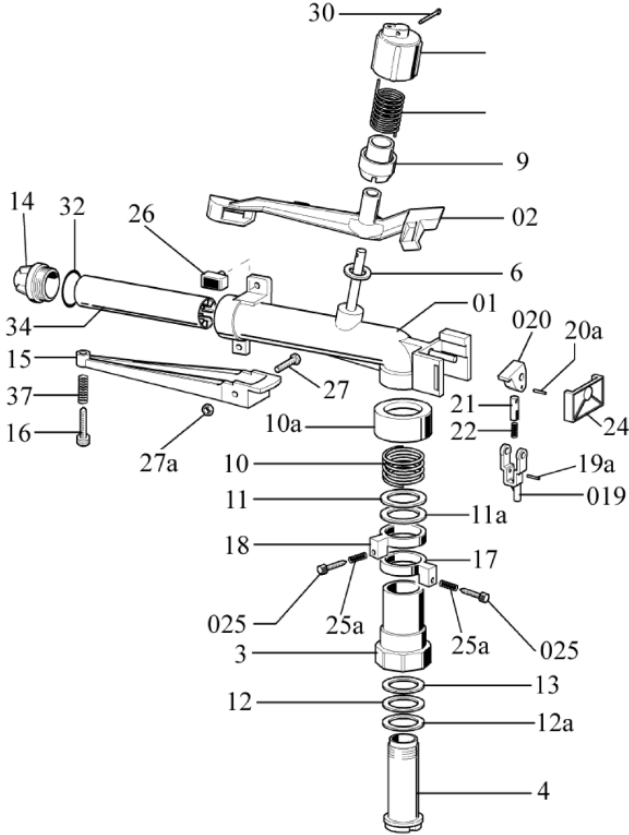


Figure 11. R18 - R30 Lift Frame Kit

